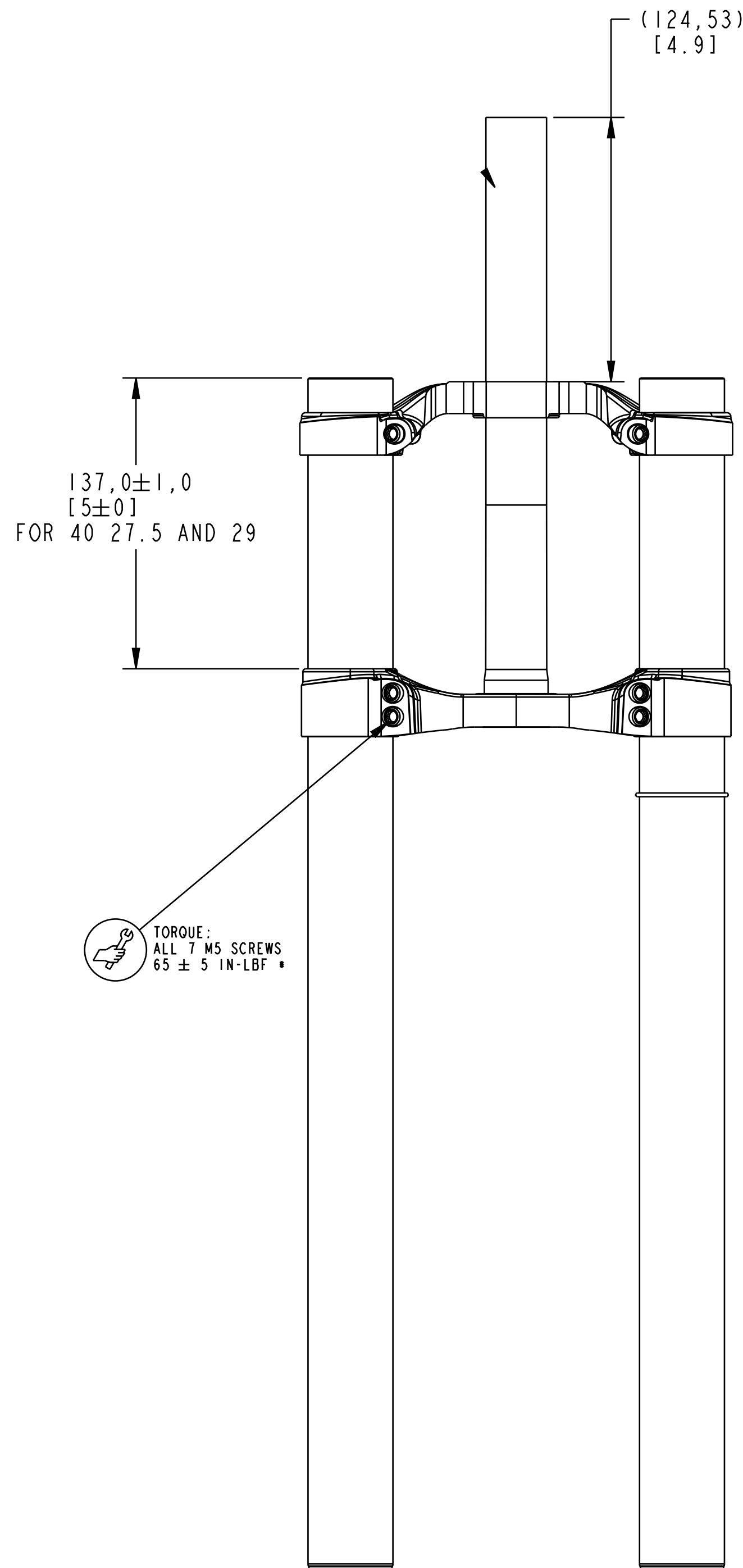


4

3

2

1



TORQUE ALL 7 M5 SCREWS TO 65+/-5 IN-LBF

<b>FOX</b>		<b>FOX Factory, Inc.</b>	Ph 831-768-1100
		130 Hangar Way, Watsonville, CA 95076 USA	Fax 831-768-9312
TITLE	Assy Dwg: 2021 Fox 40 27.5 & 29in CSU Assembly		
SIZE	DWG. NO.	C	
PLOT SCALE	1:2	SHEET 1 OF 1	

- PROPRIETARY -  
THIS DOCUMENT CONTAINS CONFIDENTIAL, PROPRIETARY INFORMATION  
THAT IS FOX PROPERTY. DO NOT DISCLOSE TO OR DUPLICATE  
FOR OTHERS EXCEPT AS AUTHORIZED BY FOX.

4

3

2

1

ProE ASSEM